

Transducer

OEM Transducer

Series 623, 625, 626, 627

Features

- ▶ cULus approved
- ▶ Compact size
- ▶ Stainless steel construction
- ▶ Ceramic sensor technology
- ▶ Current and voltage outputs


Applications

- ▶ Water irrigation systems
- ▶ Medical gas systems
- ▶ HVAC systems
- ▶ Pumps and compressors
- ▶ Machine tools
- ▶ Hydraulic and pneumatic applications
- ▶ Mobile hydraulics
- ▶ General industrial applications



General Specifications*

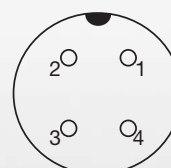
Accuracy (LH & R):	±0.5% FSO Typical
Typical Life Cycle:	100 million cycles
Proof Pressure:	2 times rated pressure, or 9000 psi max, whichever is less.
Input/Excitation Voltage:	
625 (2-wire):	9 to 28 VDC
623 (3-wire):	9 to 30 VDC
626 (3-wire):	14 to 30 VDC
627 (3-wire):	14 to 30 VDC
Output:	
625 (2-wire):	4-20 mA
623 (3-wire):	0.5-5.5 VDC
626 (3-wire):	1-11 VDC
627 (3-wire):	0-10 VDC
Zero and Span:	15 mA maximum (no load)
Wetted Parts:	316 Stainless steel, ceramic and Viton® O-ring (Typical)
Enclosure**:	NEMA 4X IP65 (H4 connection) IP67 (H3/T4 connection)
Pressure Connection:	1/4" NPT standard. Other options available.
Electrical Connection:	PVC jacketed cable standard. Other options available.

Temperature Ranges:	
Operating:	-40°F to +185°F (-40°C to +85°C)
Compensated:	30°F to +130°F (-1°C to +54°C)
Storage:	-40°F to +185°F (-40°C to +85°C)
Temperature Shift:	
Zero and Span:	±0.06% FS/K over operating temperature range
Vibration:	15 g's, 10-2000 Hz, MIL-STD 202
Approval¹:	 UL File E302981, to UL 508, as Industrial Control Equipment (NMTR, NMTR7), and to UL 61010-1, as Process Control Equipment (QUYX, QUYX7).
Shock:	50 g's, 11 ms, MIL-STD 202 Method 213, Cond. G.
Weight:	5.1 oz (145 grams) (typical)
Warranty:	1 year

Wiring Code

Electrical Termination		Voltage Output	Current Output
H3	H4 / T4	Series 623/626/627	Series 625
Red	1	+ Excitation	+ Excitation
Black	2	Common	Common
White	3	+ Output	Not used
Drain	4	Case Ground	Case Ground

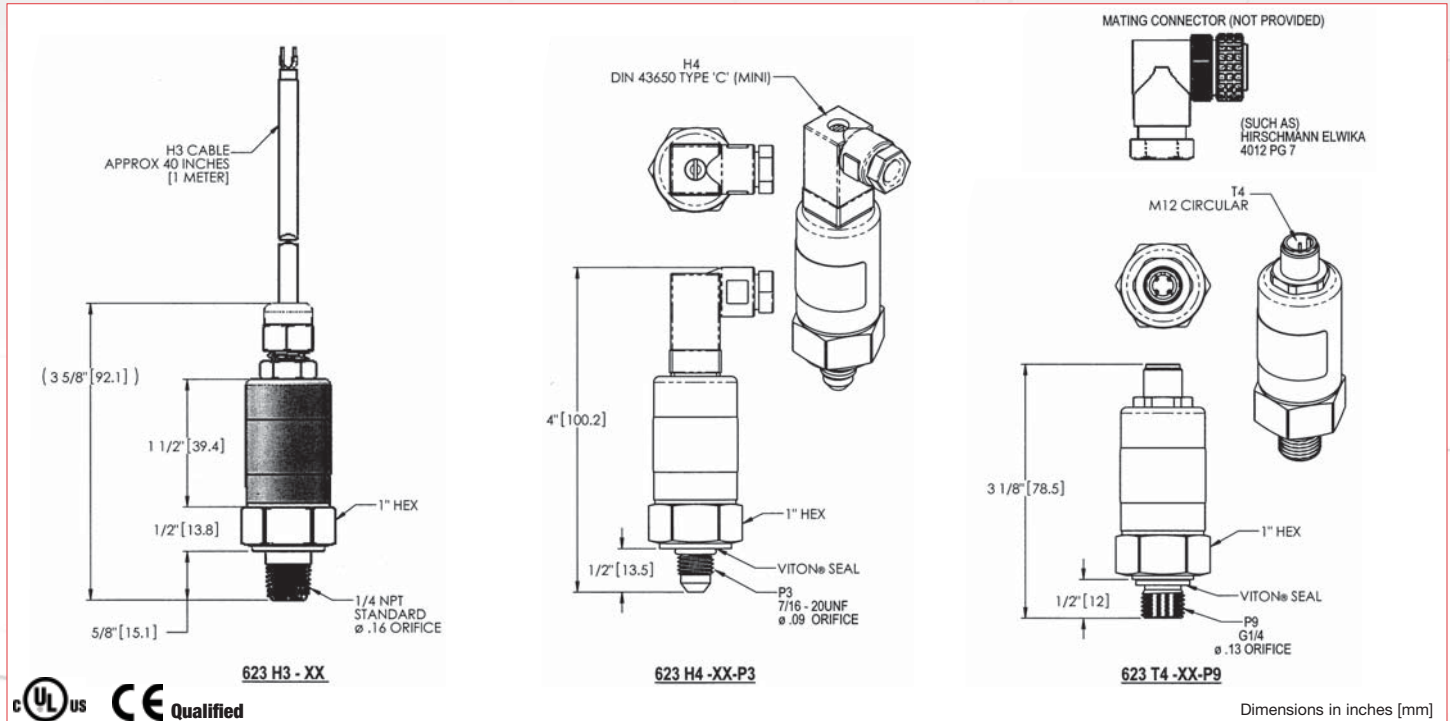
T4 Pin Out Diagram



* See product configurator for additional options.

** Mating connector must be properly installed to preserve enclosure rating

Technical Drawings



Product Configurator

Example: **625 H3 -05**

Base Model

625	4-20 mA analog output
623	0.5-5.5 VDC analog output
626	1-11 VDC analog output
627	0-10 VDC analog output

Electrical Connection

H3	PVC jacketed cable (1 m)
H4	Mini-DIN 43650 Type "C"
T4	M12 circular connector

Pressure Range³

-21	0-30 PSI (0-2 BAR)
-26	0-75 PSI (0-5 BAR)
-05	0-150 PSI (0-10 BAR)
-07	0-300 PSI (0-20 BAR)
-27	0-750 PSI (0-50 BAR)
-11	0-1500 PSI (0-100 BAR)
-13	0-3000 PSI (0-200 BAR)
-16	0-6000 PSI (0-400 BAR)

Process Connection

Blank	1/4" NPT Male
-P3	7/16-20 UNF Male
-P9	G1/4 Male

Options

Blank	Standard
-Z1	Cleaned for oxygen service
-Z15	Calibrated in BAR
-Z10	1 to 5 V output (only available on 623)
-Z11	1 to 6 V output (only available on 623)
-Z12	0.5 to 4.5 V output (only available on 623)
-Z16	0.2 to 10 V output (only available on 626)
-Z19	Built in pressure surge suppressor (0.031" orifice)
-Z20	Fluorosilicone O-Ring
-Z21	Built in pressure surge suppressor (0.011" orifice)
-Z22	Combination options: P9 + Z15 + Z19
-Z23	Combination options: P9 + Z15 + Z21
-ZXXY ²	Special Pressure Ranges
-Wxxx	Specify cable length in inches (H3 longer than 40 inches)

Note 1. Conditions of Use: Class 2 power source, Type 4X indoor, 122°F (50°C) max. ambient.

2. Add suffix ZXXY for special pressure range calibration. XX = significant digits. Y = number of trailing zeros. Example: 130 psi calibration: add -Z131.

3. Other ranges available - consult factory.